

General Description

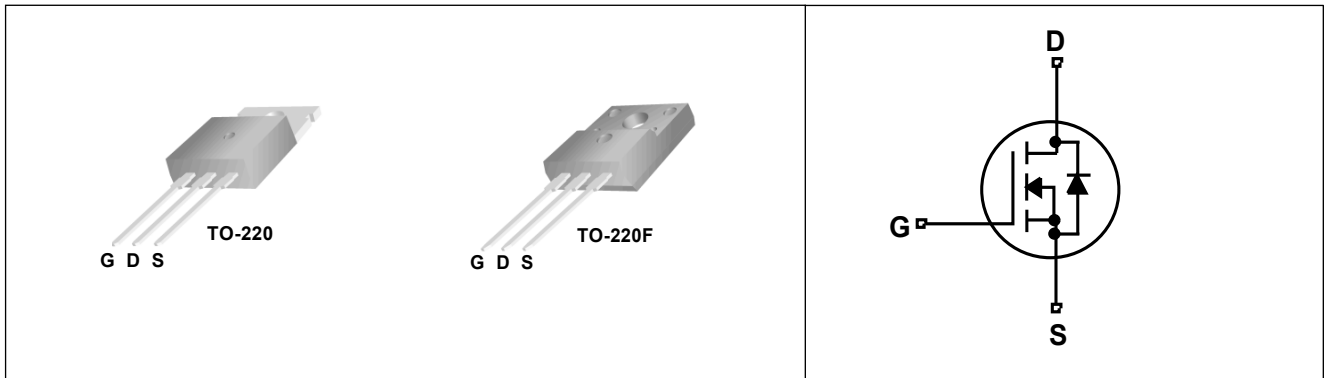
This Power MOSFET is produced using Maplesemi's Advanced Super-Junction technology.

This advanced technology has been especially tailored to minimize conduction loss, provide superior switching performance, and withstand high energy pulse in the avalanche and commutation mode.

These devices are well suited for AC/DC power conversion

Features

- 18A, 500V, RDS(on) typ.= 0.21Ω@VGS = 10 V
- Low gate charge (typical 43nC)
- High ruggedness
- Fast switching
- 100% avalanche tested
- Improved dv/dt capability



Absolute Maximum Ratings

TC = 25°C unless otherwise noted

Symbol	Parameter	TO-220	TO-220F	Units
VDSS	Drain-Source Voltage	500		V
ID	Drain Current - Continuous (TC = 25°C)	18	18*	A
	- Continuous (TC = 100°C)	10	10*	A
IDM	Drain Current - Pulsed (Note 1)	50	50*	A
VGSS	Gate-Source Voltage	±30		V
EAS	Single Pulsed Avalanche Energy (Note 2)	9		mJ
IAR	Avalanche Current (Note 1)	3		A
EAR	Repetitive Avalanche Energy (Note 1)	4.5		mJ
dv/dt	Peak Diode Recovery dv/dt (Note 3)	15		V/ns
PD	Power Dissipation (TC = 25°C)	156	34	W
	- Derate above 25°C	1.67	0.46	W/°C
TJ, TSTG	Operating and Storage Temperature Range	-55 to +150		°C
TL	Maximum lead temperature for soldering purposes, 1/8" from case for 5 seconds	300		°C

*Drain current limited by maximum junction temperature.

Thermal Characteristics

Symbol	Parameter	Value		Units
		TO220	TO220F	
RθJC	Thermal Resistance, Junction-to-Case	0.6	3.6	°C/W
RθJS	Thermal Resistance, Case-to-Sink Typ.	0.5	-	°C/W
RθJA	Thermal Resistance, Junction-to-Ambient	62	80	°C/W

Electrical Characteristics (TC = 25 °C unless otherwise noted)

Symbol	Parameter	Test Conditions	Min	Typ	Max	Units
Off Characteristics						
BVDSS	Drain-Source Breakdown Voltage	VGS = 0V, ID = 250uA, TJ=25°C	500	-	-	V
		VGS = 0V, ID = 250uA, TJ=150°C	-	550	-	V
Δ BVDSS Δ TJ	Breakdown Voltage Temperature coefficient	ID = 250uA, referenced to 25°C	-	0.6	-	V/°C
IDSS	Drain-Source Leakage Current	VDS = 500V, VGS = 0V	-	-	1	uA
		VDS = 400V, TC = 125 °C	-	-	10	uA
IGSS	Gate-Source Leakage, Forward	VGS = 30V, VDS = 0V	-	-	100	nA
	Gate-source Leakage, Reverse	VGS = -30V, VDS = 0V	-	-	-100	nA

On Characteristics

VGS(th)	Gate Threshold Voltage	VDS = VGS, ID = 250uA	2.5	-	4.5	V
RDS(ON)	Static Drain-Source On-state Resistance	VGS = 10 V, ID = 9A	-	0.21	0.24	Ω

Dynamic Characteristics

Ciss	Input Capacitance	VGS = 0 V, VDS = 25V, f = 1MHz	-	800	-	pF
Coss	Output Capacitance		-	180	-	
Crss	Reverse Transfer Capacitance		-	8	-	

Dynamic Characteristics

td(on)	Turn-on Delay Time	VDD = 250V, ID = 18A, RG = 25 Ω	-	26	-	nS
tr	Rise Time		-	60	-	
td(off)	Turn-off Delay Time		-	75	-	
tf	Fall Time		-	44	-	
Qg	Total Gate Charge	VDS = 400V, VGS = 10V, ID = 18A	-	43	-	nC
Qgs	Gate-Source Charge		-	5	-	
Qgd	Gate-Drain Charge(Miller Charge)		-	22	-	

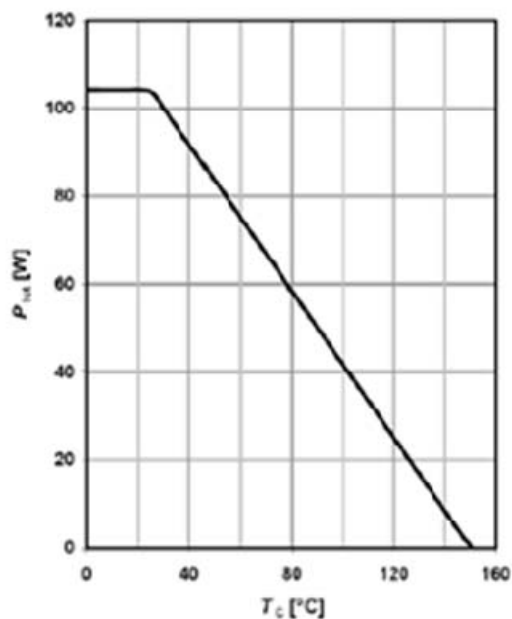
Source-Drain Diode Ratings and Characteristics

Symbol	Parameter	Test Conditions	Min.	Typ.	Max.	Unit.
IS	Maximum Continuous Drain-Source Diode Forward Current		-	-	18	A
ISM	Maximum Pulsed Drain-Source Diode Forward Current		-	-	50	
VSD	Diode Forward Voltage	IS = 18A, VGS = 0V	-	-	1.5	V
trr	Reverse Recovery Time	IS = 18A, VGS = 0V, diF/dt = 100A/us	-	345	-	nS
Qrr	Reverse Recovery Charge		-	4.5	-	uC

NOTES

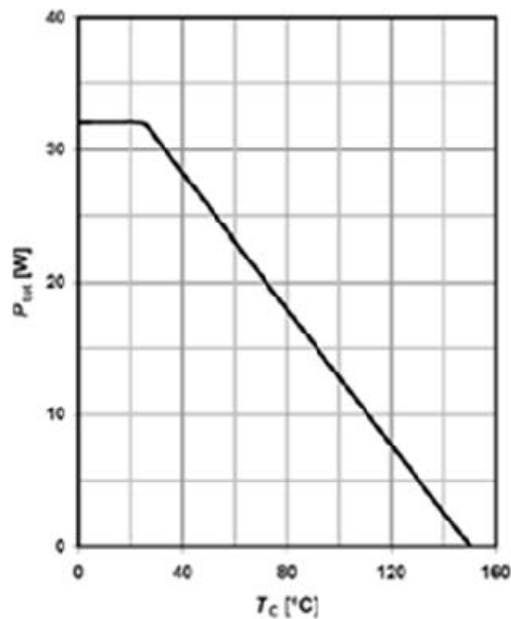
1. Repeativity rating : pulse width limited by junction temperature
2. L = 60mH, IAS = 4.4A, VDD = 150V, RG = 25 Ω , Starting TJ = 25°C
3. ISD \leq 10A, di/dt \leq 200A/us, VDD \leq BVDSS, Starting TJ = 25°C
4. Pulse Test : Pulse Width \leq 300us, Duty Cycle \leq 2%
5. Essentially independent of operating temperature.

**Power dissipation
TO-220**



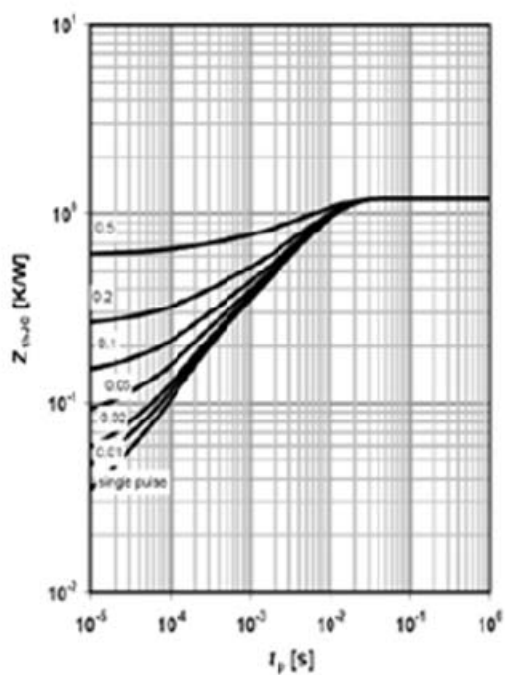
$P_{tot} = f(T_c)$

**Power dissipation
TO-220 FullPAK**



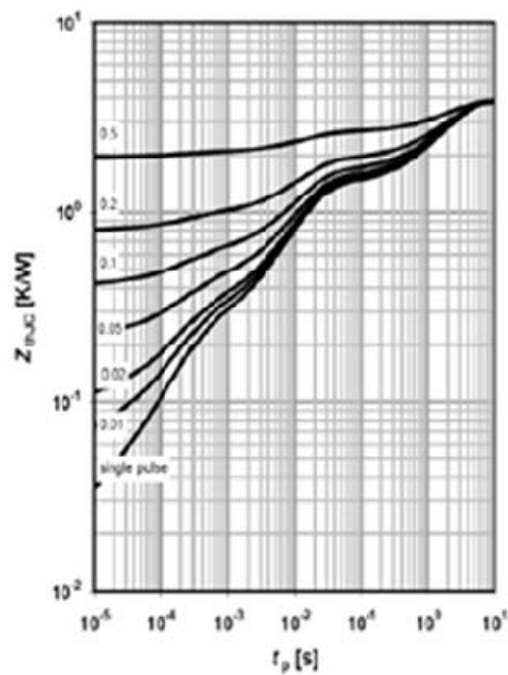
$P_{tot} = f(T_c)$

**Max. transient thermal impedance
TO-220**



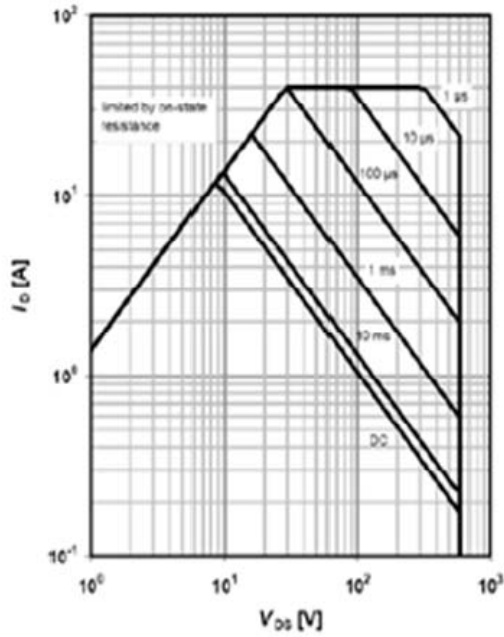
$Z_{(thJC)} = f(t_p)$; parameter: $D = t_p/T$

**Max. transient thermal impedance
TO-220 FullPAK**



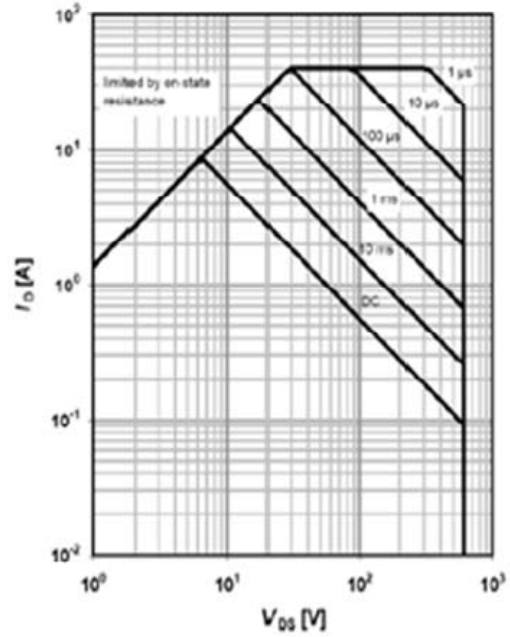
$Z_{(thJC)} = f(t_p)$; parameter: $D = t_p/T$

Safe operating area $T_c=25\text{ }^\circ\text{C}$
TO-220



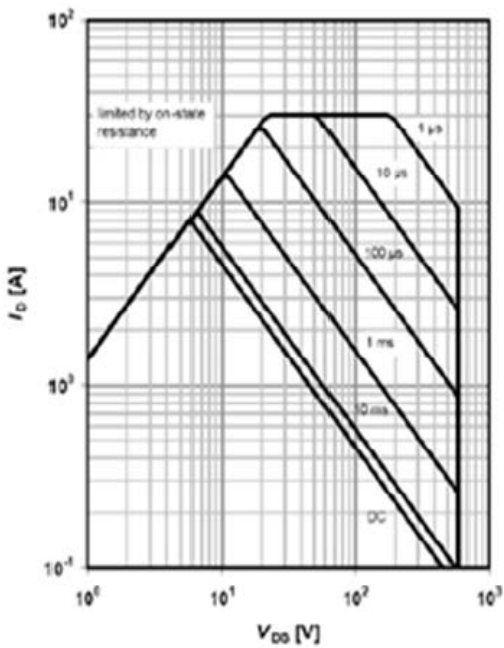
$I_D=f(V_{DS}); T_c=25\text{ }^\circ\text{C}; D=0; \text{parameter } t_p$

Safe operating area $T_c=25\text{ }^\circ\text{C}$
TO-220 FullPAK



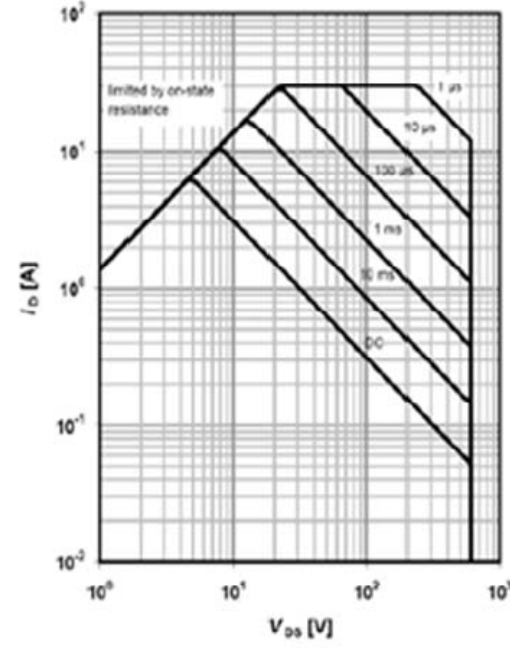
$I_D=f(V_{DS}); T_c=25\text{ }^\circ\text{C}; D=0; \text{parameter } t_p$

Safe operating area $T_c=80\text{ }^\circ\text{C}$
TO-220



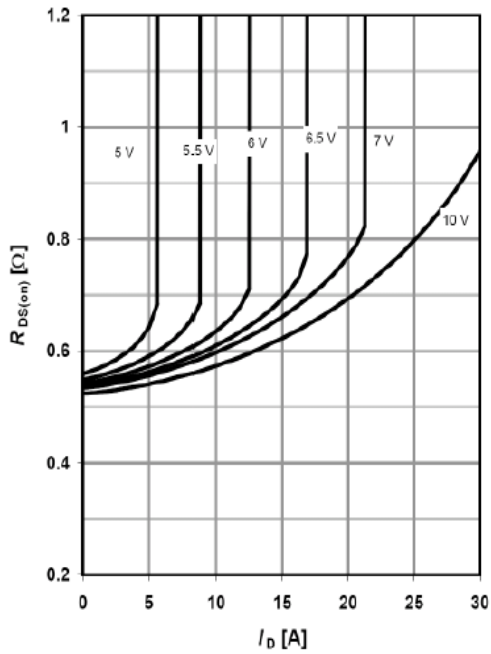
$I_D=f(V_{DS}); T_c=80\text{ }^\circ\text{C}; D=0; \text{parameter } t_p$

Safe operating area $T_c=80\text{ }^\circ\text{C}$
TO-220 FullPAK



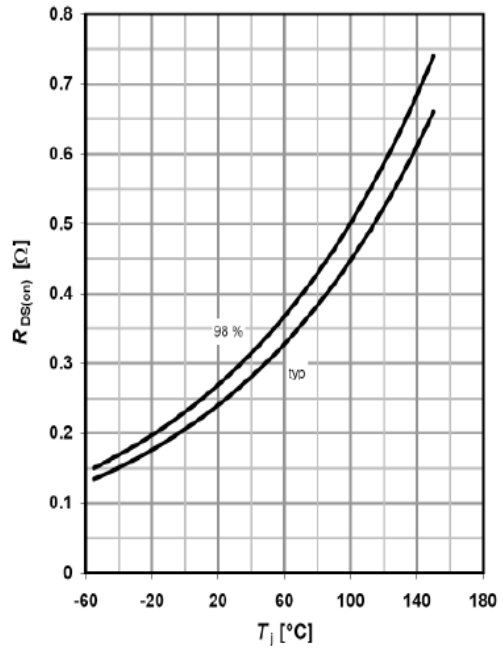
$I_D=f(V_{DS}); T_c=80\text{ }^\circ\text{C}; D=0; \text{parameter } t_p$

Typ. drain-source on-state resistance



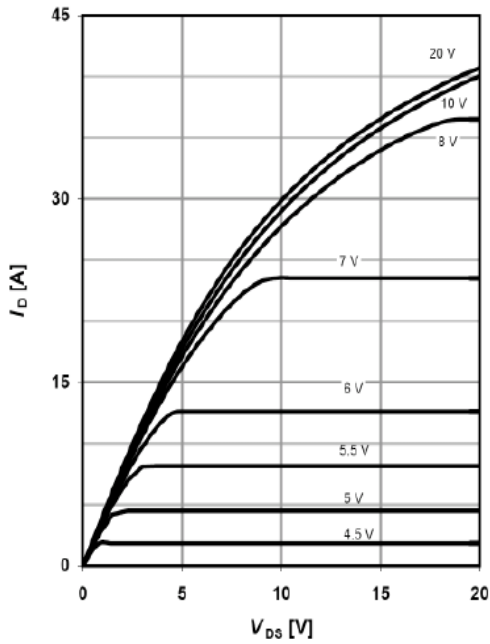
$R_{DS(on)}=f(I_D); T_j=125\text{ }^\circ\text{C}; \text{parameter: } V_{GS}$

Drain-source on-state resistance



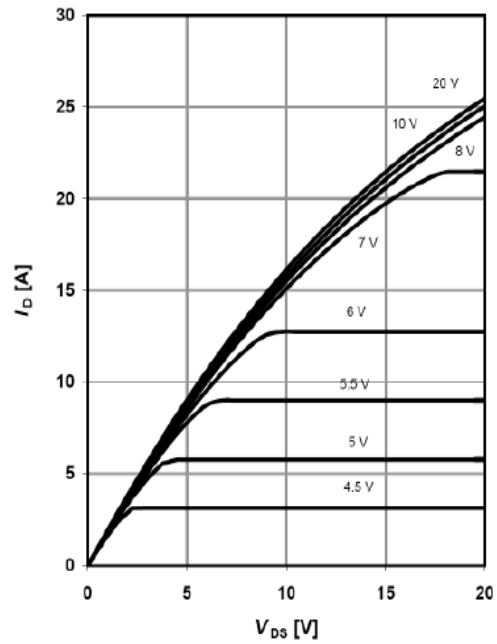
$R_{DS(on)}=f(T_j); I_D=6.5\text{ A}; V_{GS}=10\text{ V}$

Typ. output characteristics $T_j=25\text{ }^\circ\text{C}$



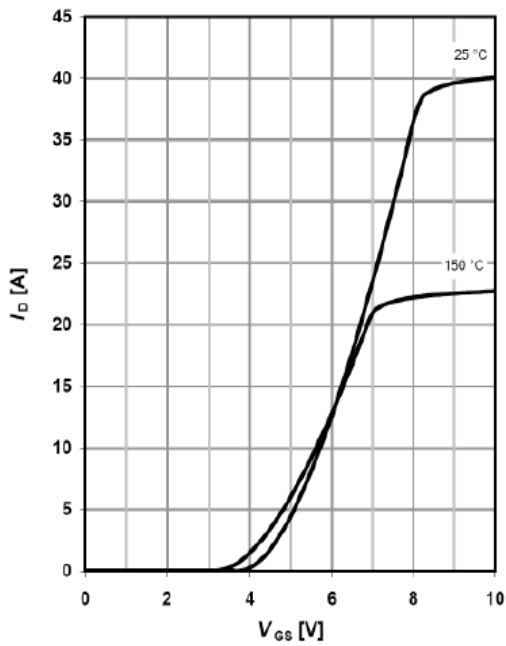
$I_D=f(V_{DS}); T_j=25\text{ }^\circ\text{C}; \text{parameter: } V_{GS}$

Typ. output characteristics $T_j=125\text{ }^\circ\text{C}$



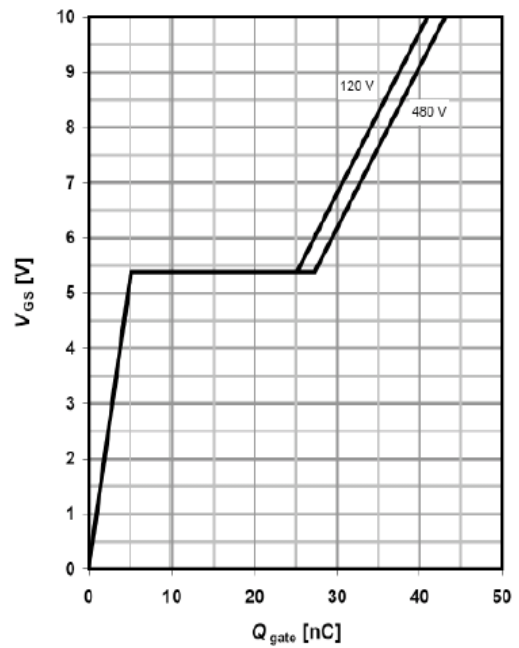
$I_D=f(V_{DS}); T_j=125\text{ }^\circ\text{C}; \text{parameter: } V_{GS}$

Typ. transfer characteristics



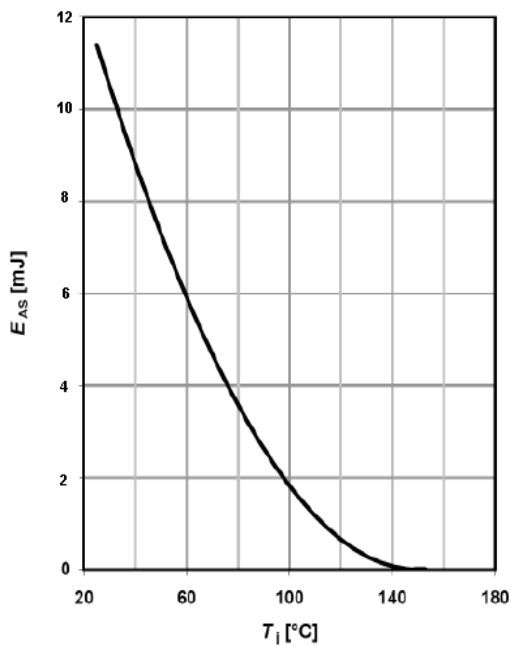
$I_D = f(V_{GS}); V_{DS} = 20V$

Typ. gate charge



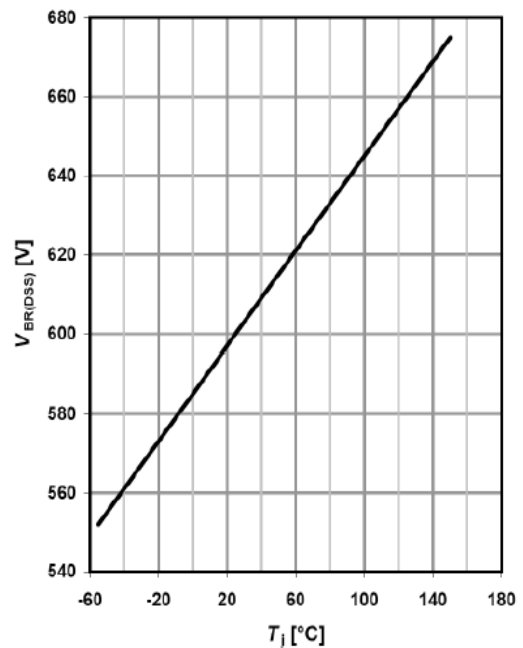
$V_{GS} = f(Q_{gate}), I_D = 6.5A$ pulsed

Avalanche energy



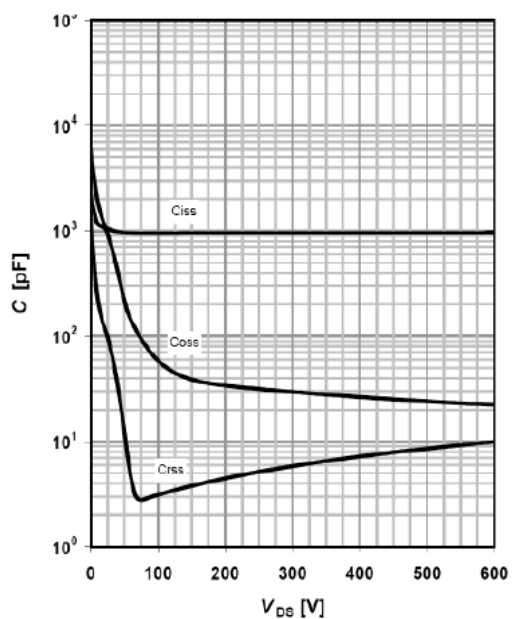
$E_{AS} = f(T_j); I_D = 6.5 A; V_{DD} = 50 V$

Drain-source breakdown voltage



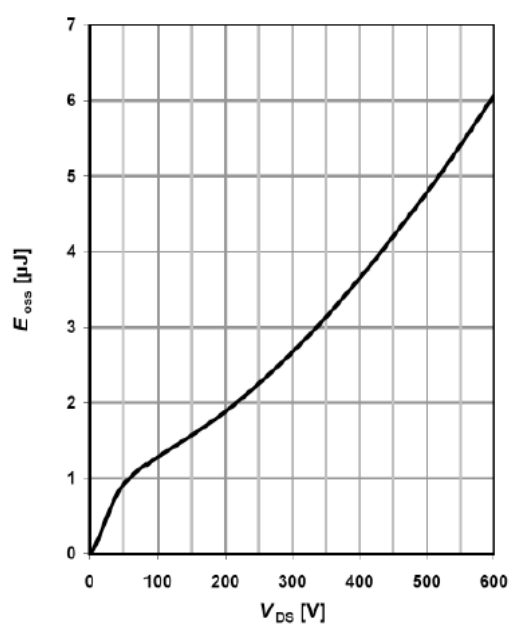
$V_{BR(DSS)} = f(T_j); I_D = 0.25 mA$

Typ. capacitances



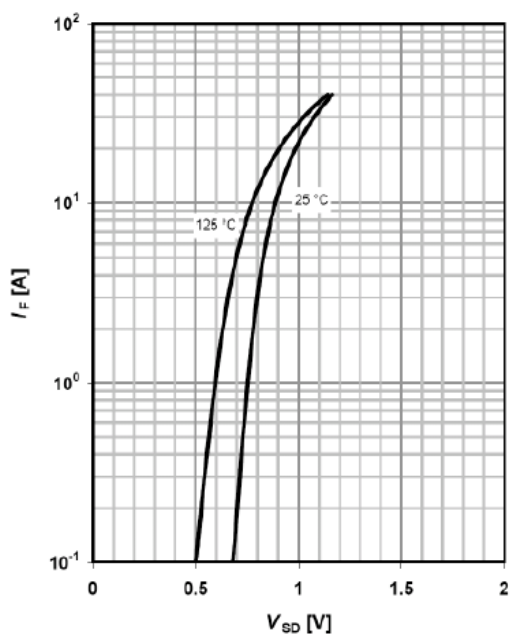
$C=f(V_{DS}); V_{GS}=0\text{ V}; f=1\text{ MHz}$

Typ. C_{oss} stored energy



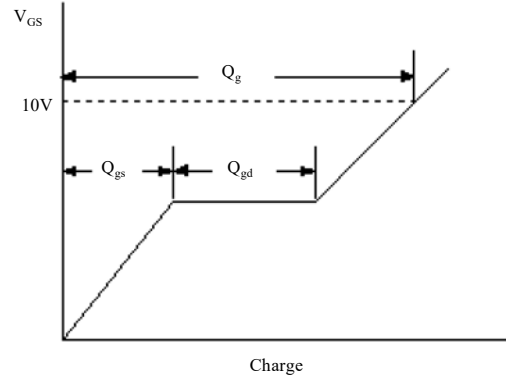
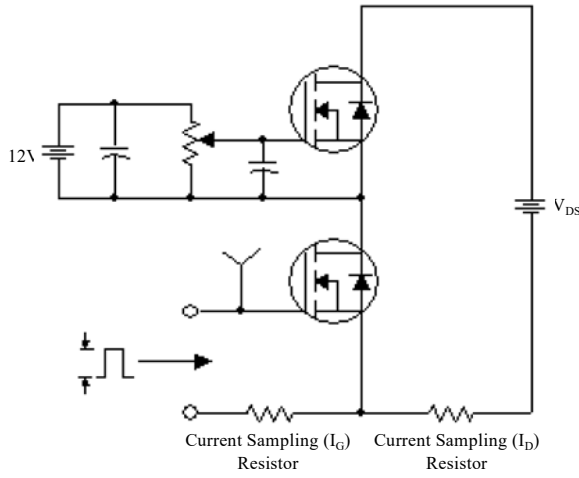
$E_{Oss}=f(V_{DS})$

Forward characteristics of reverse diode

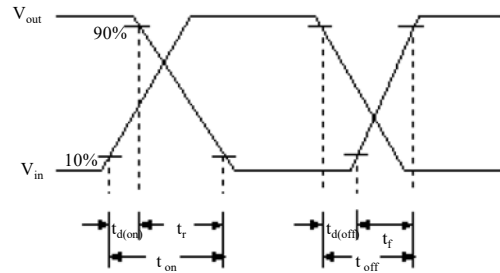
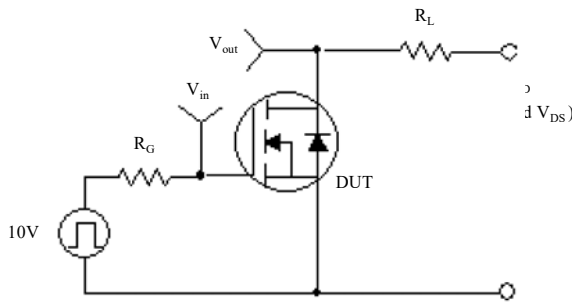


$I_F=f(V_{SD}); \text{parameter: } T_j$

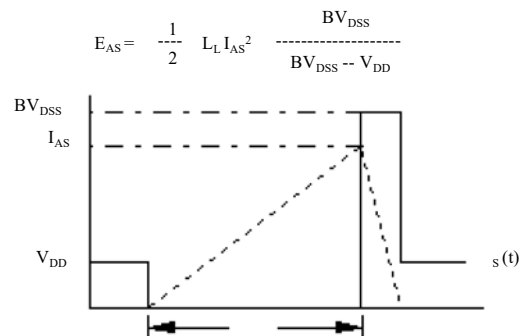
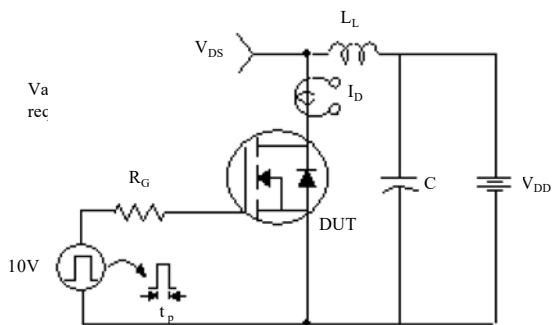
Gate Charge Test Circuit & Waveform



Resistive Switching Test Circuit & Waveforms



Unclamped Inductive Switching Test Circuit & Waveforms



Peak Diode Recovery dv/dt Test Circuit & Waveforms

